

STEELDECK®



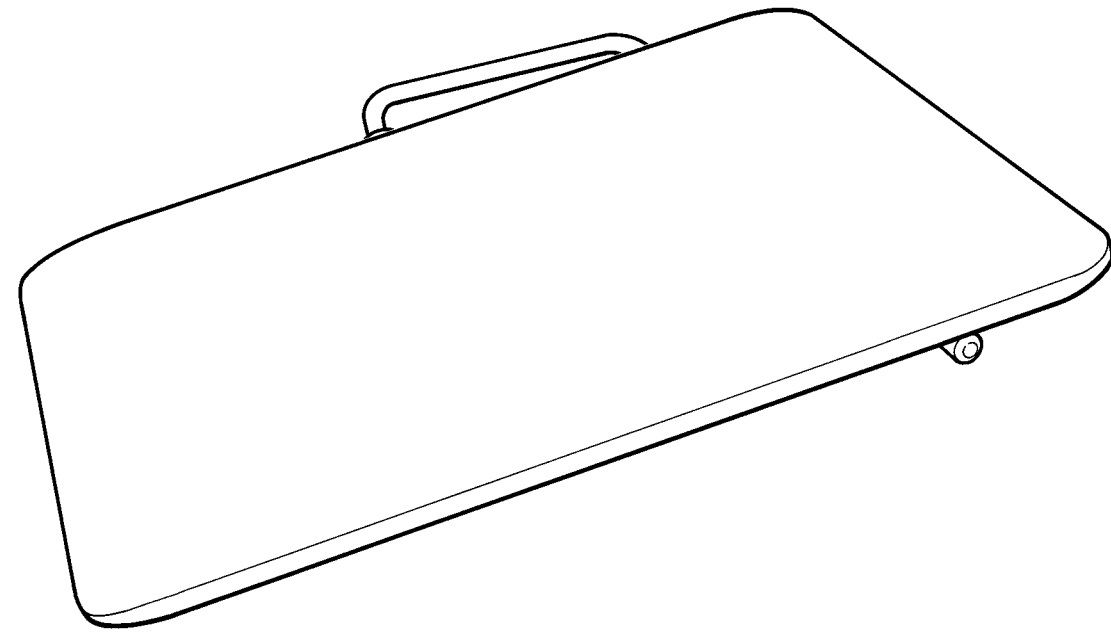
PLATFORM SYSTEMS

Catalog

May 2007

HANDLING:

Curb Plates.....50
Monkey Chariot51
Leg Rack Caster52
Corner Caster53
Pallet Jack54
Shrink-wrap55
Stacking Blocks.....56
Human Being57



DESCRIPTION:

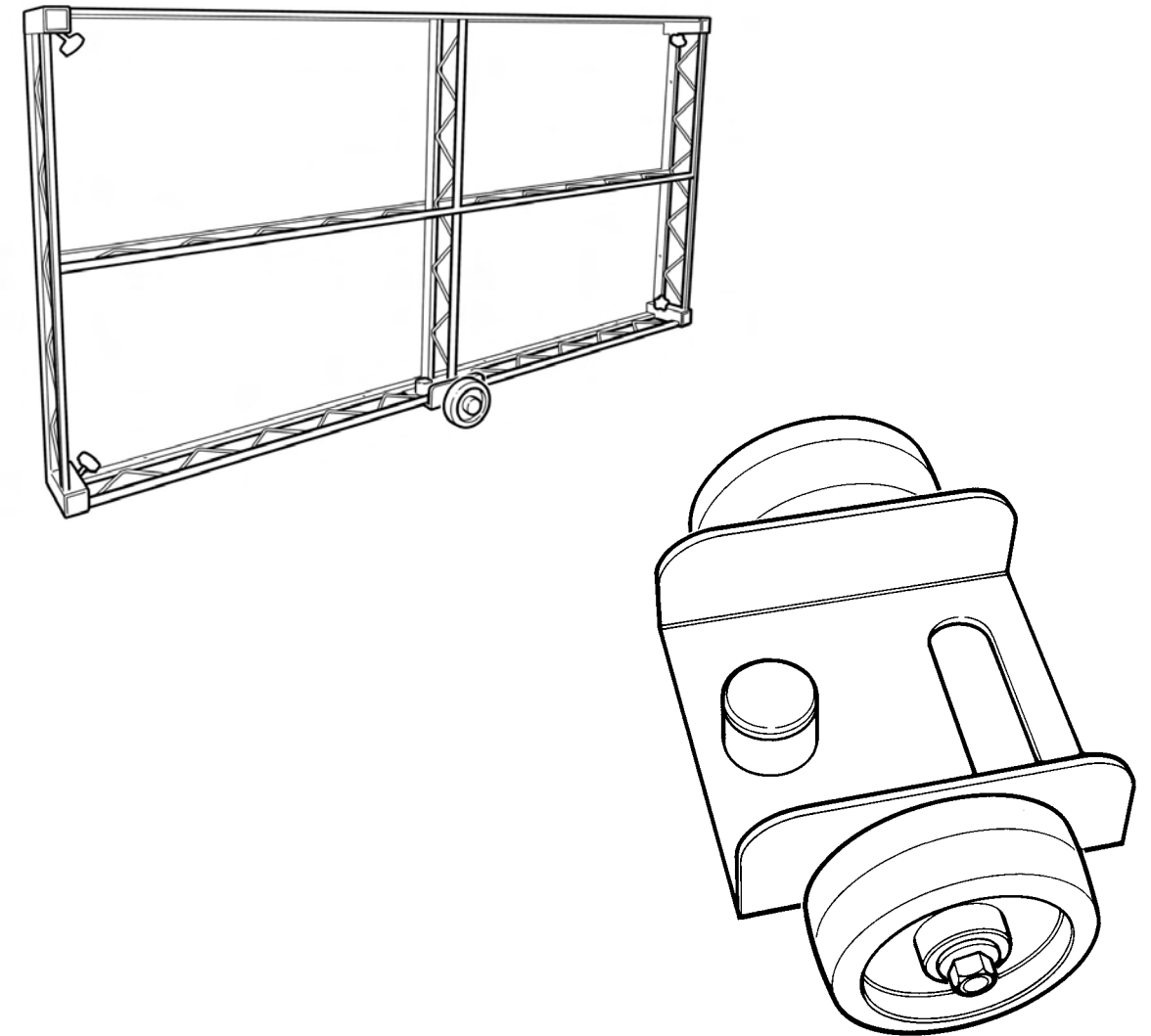
Curb Plates. Constructed from 12" x 12" x 1/4" steel plate with carrying handle. Provides access ramp over street curbs. Lightweight and portable. Finish: blue paint.

TECHNICAL SPECIFICATIONS:

CARRYING WEIGHT	LOAD CAPACITY
10 lbs.	200 lbs.

RELATED ACCESSORIES:

- Decks
- 8" Swivel Caster
- Leg Rack Caster
- Corner Caster
- Pallet Jack



DESCRIPTION:

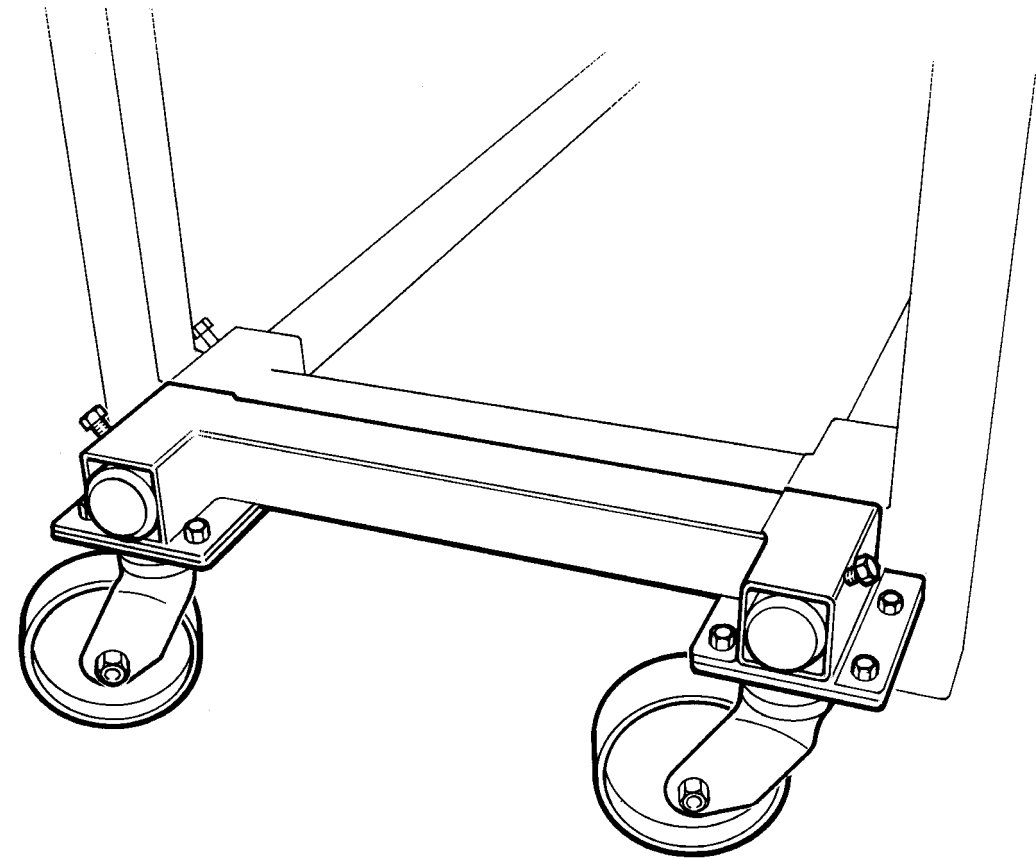
"Monkey Chariot." Low wheeled unit made of steel supplied with carrying handle. Steeldeck® platform engages over pipe on unit to stop deck from shifting in the chariot. Used for moving one deck easily on edge by one person.

TECHNICAL SPECIFICATIONS:

CARRYING WEIGHT	LOAD CAPACITY
13 lbs.	180 lbs.

RELATED ACCESSORIES:

- Decks



DESCRIPTION:

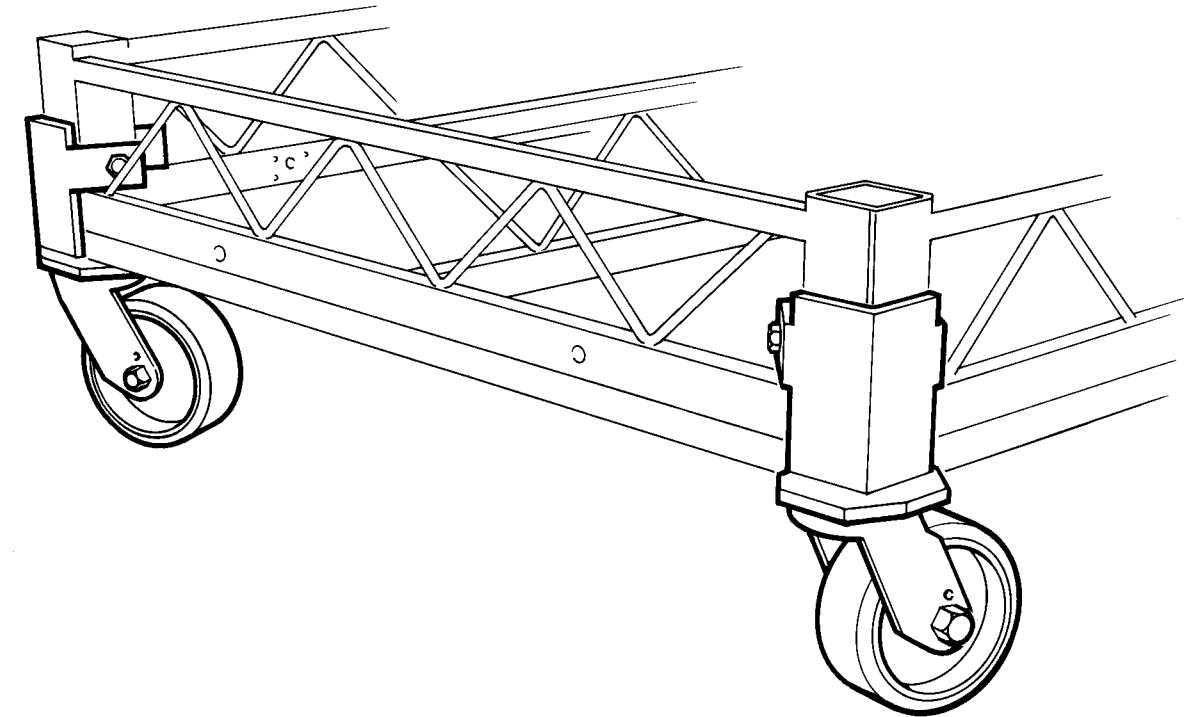
Leg Rack Caster. 2" x 2" steel tube with 2 1/2" pipe sockets mounted on two 5" casters. Two units required for each leg rack. Handy storage of Steeldeck® platform legs and can be moved around the studio for easy setup of Steeldeck platform stage. Each rack holds 150 legs. Can be fitted to a loaded leg rack, when rack is raised on pallet jack. Finish: zinc plated.

TECHNICAL SPECIFICATIONS:

CARRYING WEIGHT	LOAD CAPACITY
23 lbs.	2000 lbs.

RELATED ACCESSORIES:

- Legs
- Leg Racks



DESCRIPTION:

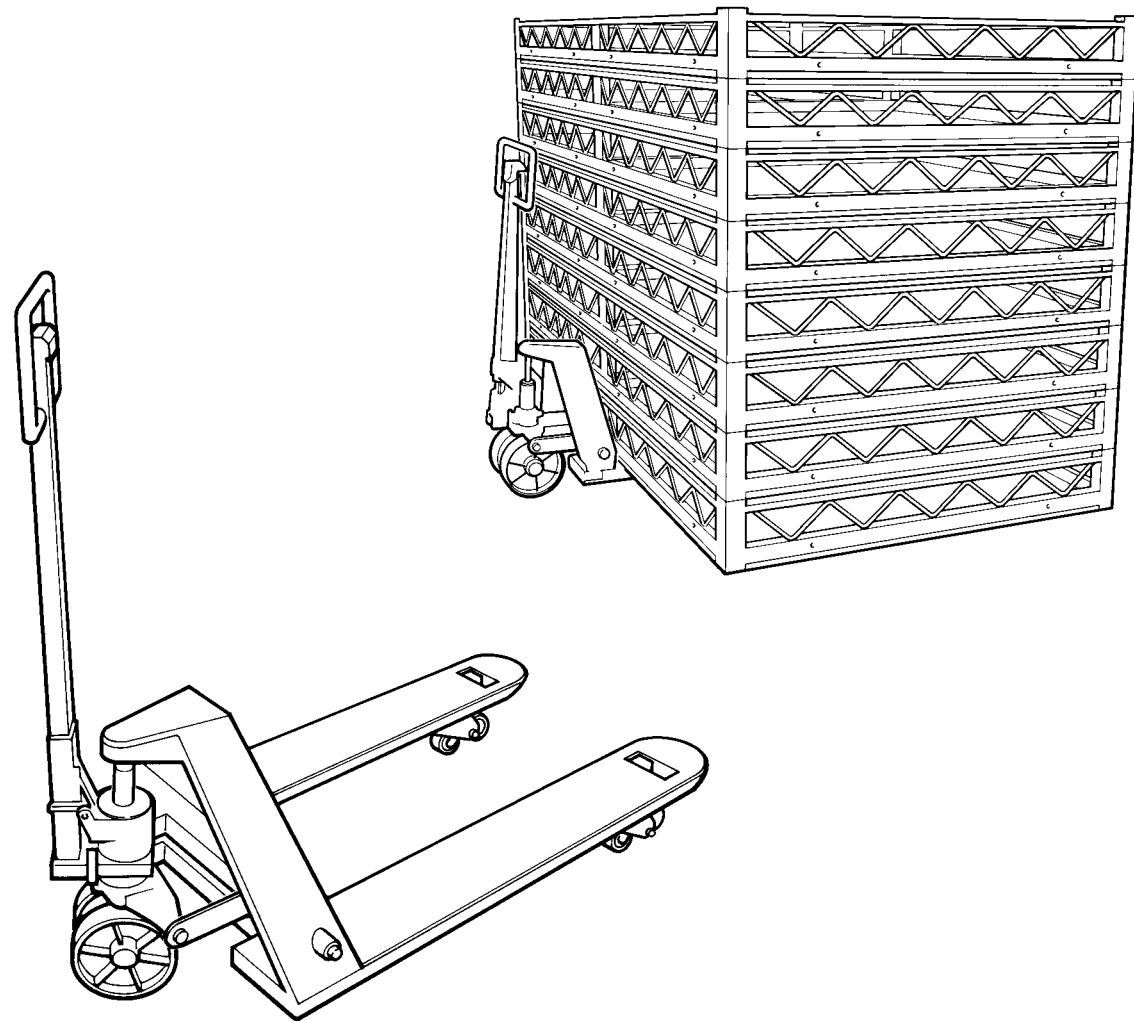
Corner Caster. 4" caster mounted on steel corner plate. Used to place under an up turned Steeldeck® platform (ply top downwards), for moving decks without pallet jack or forklift. Can be placed on a complete stack, after raising the stack with a pallet jack.

TECHNICAL SPECIFICATIONS:

CARRYING WEIGHT	LOAD CAPACITY
8.5 lbs.	1000 lbs.

RELATED ACCESSORIES:

- Decks



DESCRIPTION:

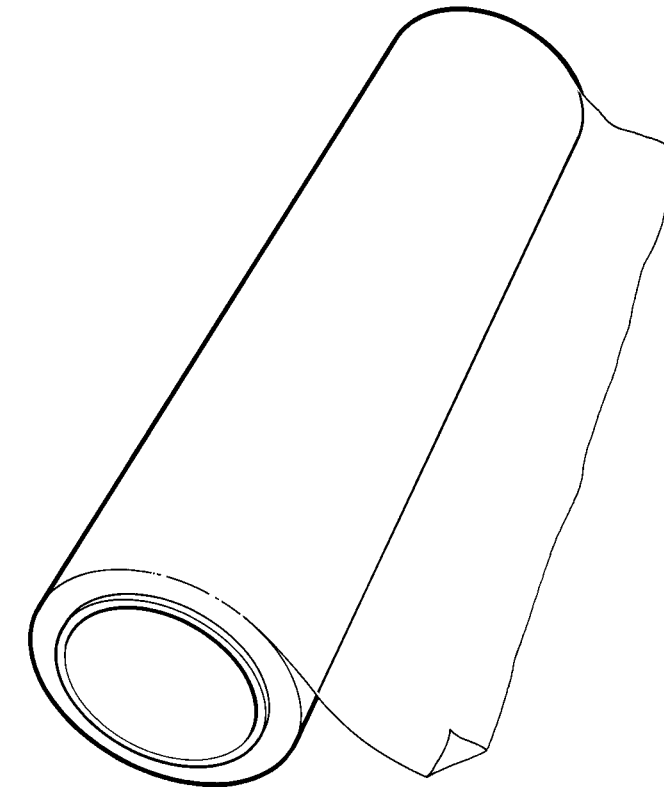
Pallet Jack. Versatile lifting and moving device to safely transport Steeldeck® platforms or legs. Rugged construction with polyurethane wheels and pallet entry slides. The pallet jack has an extra heavy duty steel frame, and tandem load rollers.

TECHNICAL SPECIFICATIONS:

CARRYING WEIGHT	LOAD CAPACITY
160 lbs.	5500 lbs.

RELATED ACCESSORIES:

- Decks
- Legs

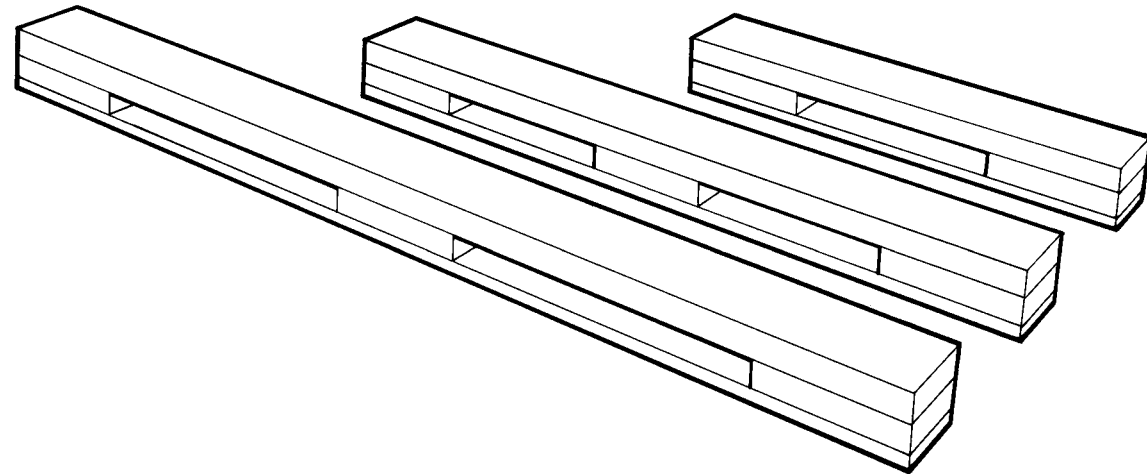


DESCRIPTION:

Shrinkwrap. Clear plastic film on rolls supplied 4" or 18" wide. Used for protecting products as well as packaging items together. Heavy Duty 80 gauge. Length 1500' per roll.

TECHNICAL SPECIFICATIONS:

	CARRYING WEIGHT	LOAD CAPACITY
18"	Full Roll=40 lbs.	N/A



DESCRIPTION:

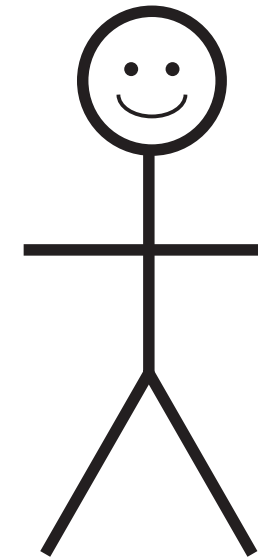
Stacking Blocks. Wooden blocks in sizes 2', 3' and 4' for placing under deck stacks to provide clearance for pallet jack or fork lift. Allows a stack of 10 decks to be placed on top or another stack.

TECHNICAL SPECIFICATIONS:

LENGTH	CARRYING WEIGHT	LOAD CAPACITY
2'	4 lbs.	1600 lbs.
3'	5 lbs.	1600 lbs.
4'	6 lbs.	1600 lbs.

RELATED ACCESSORIES:

- Decks



DESCRIPTION:

Human Being. Essential for setting up Steeldeck® platforms.

TECHNICAL SPECIFICATIONS:

Two of these can set up a 20' x 40' stage in one hour. Dangerous if unfed more than four hours.

CARRYING WEIGHT*	LOAD CAPACITY*
150-350 lbs. (self-propelled)	150 lb. carrying 2500 lb. load on casters

RELATED ACCESSORIES:

- Wrenches
- Fast Cars
- Beer

*Depends on individual unit